



PRODUCTS CATALOG

ELECTRICAL ENCLOSURES & MODULAR CABINETS



20

exmweb.com

NEMA 4-12 ENCLOSURES

5412 ESMCH

JIC ENCLOSURES (WELDED FEET)

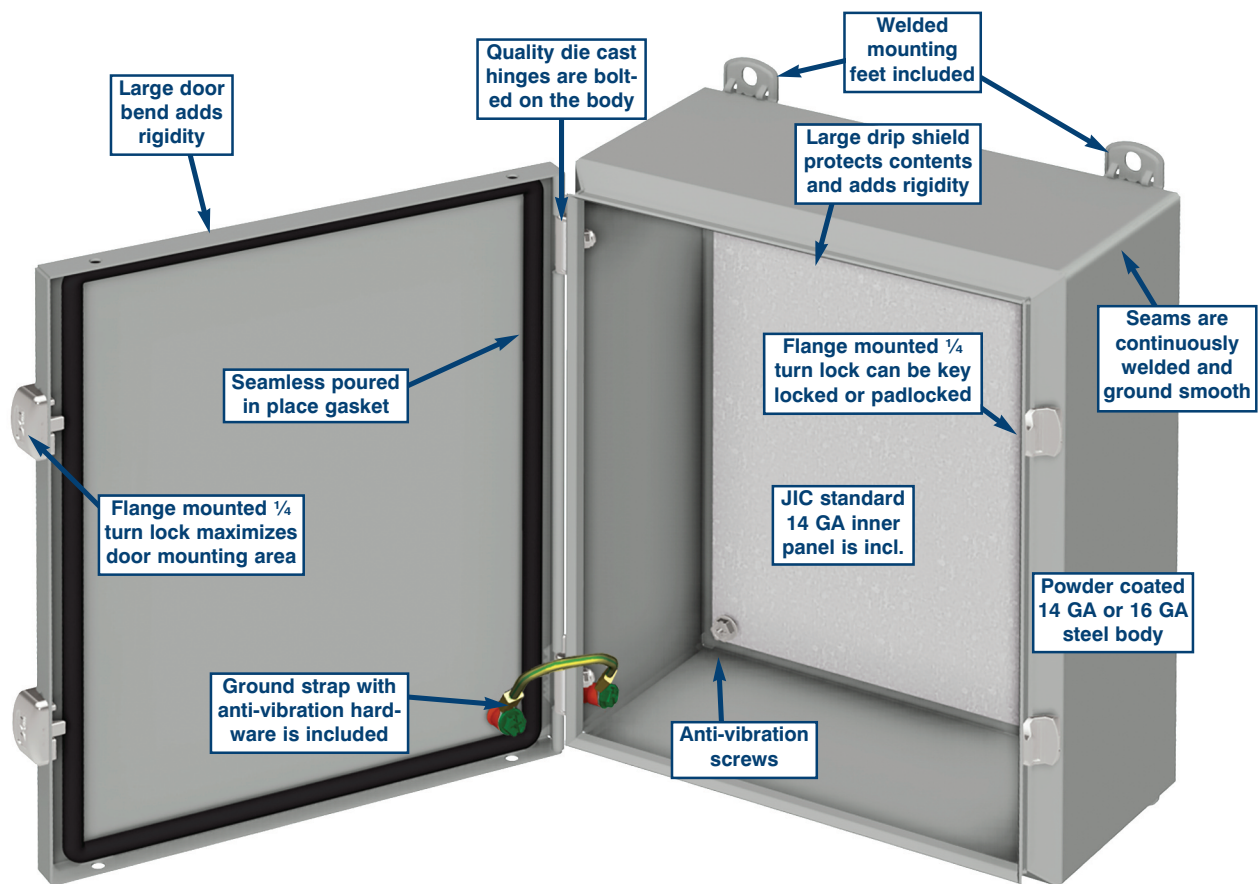
The 5412 ESMCH are used indoors or outdoors to protect the enclosed controls from dust, dirt, oil and water splashing. The 5412 ESMCH are made of high quality 14 GA or 16 GA steel, with continuously welded corner seams. The opening has a curled lip around all sides to increase rigidity and prevent dripping water from entering the enclosure when the door is open. A high quality, robotically poured-in-place, seamless gasket ensures a complete and durable water tight seal. The enclosures feature

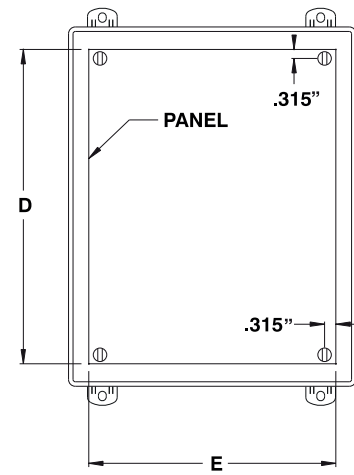
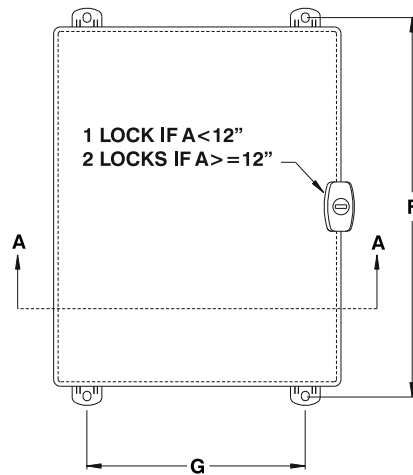
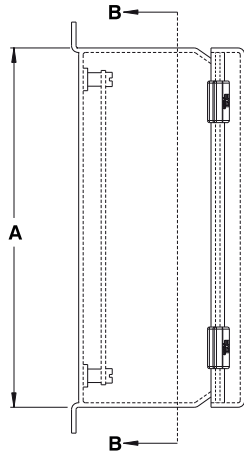
die cast hinges, which are bound to the cover by an exclusive concealed hinge pin system. The covers are interchangeable and can be removed by unfastening the anti-vibration lock nuts. EXM's exclusive flange-mounted ¼ turn locking system ensures positive closing while leaving a full workable mounting surface on the door. Each enclosure comes complete with a 14 GA galvanized inner panel, which mounts on welded nuts. The enclosure can be externally mounted using the incorporated wall mounting

feet. These feet have oblong holes to facilitate installation. Enclosures are finished with heat fused powder paint, electrostatically applied on a pretreated base. Box is AINSI/ASA 61 smooth gray.

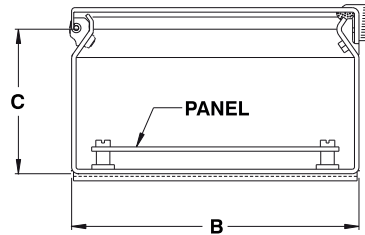
**CSA Certified / UL Listed
NEMA/EEMAC 4-12 / IP66**

Refer to p.734 to validate choice of substrate for the application





SECTION B-B



SECTION A-A

CUSTOMIZE THIS
ENCLOSURE WITH **BOXCAD**
SIZE - COLOR - CUT-OUTS

CATALOG NUMBER	DIMENSIONS							SHIP WGT LBS.
	A	B	C	D	E	F	G	
5412 ESMCH040403	4	4	3	No.Pan.	No.Pan.	4.75	2	2
5412 ESMCH060403	6	4	3	4.88	2.88	6.75	2	3
5412 ESMCH060404	6	4	4	4.88	2.88	6.75	2	4
5412 ESMCH060604	6	6	4	4.88	4.88	6.75	4	5
5412 ESMCH080604	8	6	4	6.88	4.88	8.75	4	6
5412 ESMCH080804	8	8	4	6.88	6.88	8.75	6	8
5412 ESMCH081004	8	10	4	6.88	8.88	8.75	8	10
5412 ESMCH100804	10	8	4	8.88	6.88	10.75	6	10
5412 ESMCH120604	12	6	4	10.88	4.88	12.75	4	8
5412 ESMCH060605	6	6	5	4.88	4.88	6.75	4	6
5412 ESMCH080605	8	6	5	6.88	4.88	8.75	4	7
5412 ESMCH101005	10	10	5	8.88	8.88	10.75	8	14
5412 ESMCH101205	10	12	5	8.88	10.88	10.75	10	16
5412 ESMCH121005	12	10	5	10.88	8.88	12.75	8	16
5412 ESMCH121205	12	12	5	10.88	10.88	12.75	10	18
5412 ESMCH080606	8	6	6	6.88	4.88	8.75	4	7
5412 ESMCH100806	10	8	6	8.88	6.88	10.75	26	12
5412 ESMCH101006	10	10	6	8.88	8.88	10.75	8	14
5412 ESMCH121206	12	12	6	10.88	10.88	12.75	10	18
5412 ESMCH121406	12	14	6	10.88	12.88	12.75	12	19
5412 ESMCH140806	14	8	6	12.88	6.88	14.75	6	10
5412 ESMCH141206	14	12	6	12.88	10.88	14.75	10	19
5412 ESMCH141606	14	16	6	12.88	14.88	14.75	14	23
5412 ESMCH161006	16	10	6	14.88	8.88	16.75	8	19
5412 ESMCH161206	16	12	6	14.88	10.88	16.75	10	21
5412 ESMCH161406	16	14	6	14.88	12.88	16.75	12	23
5412 ESMCH121008	12	10	8	10.88	8.88	12.75	8	16
5412 ESMCH141208	14	12	8	12.88	10.88	14.75	10	20
5412 ESMCH161208	16	12	8	14.88	10.88	16.75	10	25
5412 ESMCH161408	16	14	8	14.88	12.88	16.75	12	26
5412 ESMCH161410	16	14	10	14.88	12.88	16.75	12	27



p.565

p.534



271